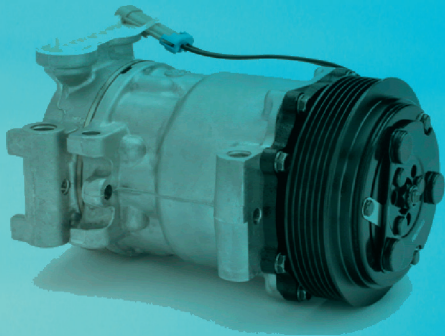




Delivering Excellence

# General Motors A/C Compressors



- Expanded line of GM replacement compressors
- Fits Chevrolet, GMC, Cadillac, Oldsmobile, and Isuzu
- New, never remanufactured, compressors
- Made in the U.S. from the highest quality parts
- Backed by Sanden's global support network

SANDEN INTERNATIONAL (USA), INC.

601 S. Sanden Blvd., Wylie, TX 75098 • Tel: (01) 972-442-8400 • Fax: (01) 972-442-8700

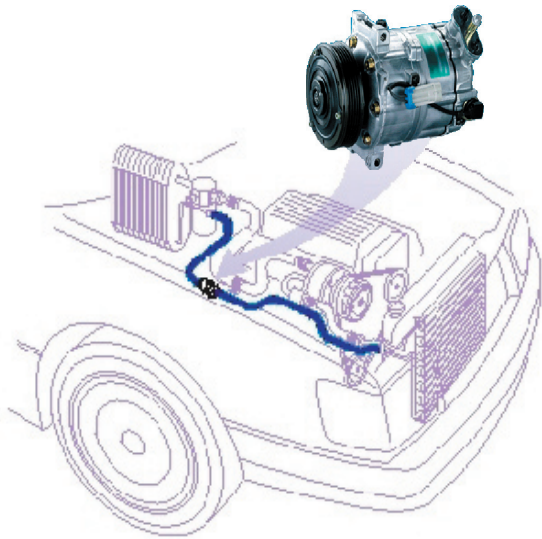
Website: [www.sanden.com](http://www.sanden.com)



## ***The Sanden Advantage***

---

---



Sanden is a premier innovator and manufacturer of compressors for mobile HVAC applications. Sanden has been producing automotive compressors for the worlds top vehicle manufacturers for over 30 years. With facilities around the globe, Sanden has a diverse technical support network to support the global automotive marketplace.

Whether the application is for light vehicle, heavy truck, or off-highway vehicles, Sanden builds a new, high quality compressor that exceeds customer expectations. Sanden has achieved the highest quality certifications and customer performance awards. Our ultimate goal is to deliver excellence to our customers.

## ***Why Choose New Over Remanufactured?***

---

---

- ***Superior Parts***

Sanden compressors are manufactured with superior quality parts and castings that are machined to OEM specifications. Remanufactured compressors are made from a used compressor core and used or non-OEM approved parts. These used and out of spec parts will degrade the cooling performance of the compressor.

- ***Superior Quality Control***

Sanden has quality systems that are registered to the highest automotive OEM standards: ISO9001:2002, ISO14001, and TS-16949. Our manufacturing and quality control processes are audited by the largest vehicle manufacturers in the world to ensure that the highest quality standards are maintained. Remanufactured compressors are not tested to OEM specifications and are not built with the same rigorous quality checks as a new Sanden compressor.

- ***Product Availability***

Remanufactured compressors rely on the availability of used cores to support the remanufacturing process. If used cores are not available, remanufactured compressors can not be produced. New Sanden compressors are produced at several manufacturing facilities all over the world to quickly support customer demand.

- ***Increased Customer Satisfaction***

You might save a few dollars with a remanufactured compressor, but is the cost savings worth losing your customers? Reman units that start with used cores and are refurbished with questionable parts and processes will not last as long as a new Sanden compressor. The price gap between reman and new continues to shrink. When you consider the benefits, the value of a new compressor is clearly superior to remanufactured.

# Sanden (NEW) OEM Replacement Compressors

YEAR	CYL	LTR	ENGINE	Compressor Type	SANDEN PN#
<b>CADILLAC</b>					
<b>ESCALADE</b>					
2000-99	V8	5.7L	GAS; FI	SD7H15	4440
<b>CHEVROLET</b>					
<b>ASTRO</b>					
2005-96	V6	4.3L	GAS; FI	SD7H15	4390
<b>BLAZER</b>					
2005-99	V6	4.3L	GAS; FI	SD7H15	4261
1998-96	V6	4.3L	GAS; FI	SD7H15	4440
<b>C1500 PICKUP</b>					
1999-96	V8	5.0L	GAS; FI	SD7H15	4440
1999-96	V8	5.7L	GAS; FI	SD7H15	4440
1998-96	V8	6.5L	DIESEL; FI TURBO	SD7H15	4440
1998-96	V6	4.3L	GAS; FI	SD7H15	4440
<b>C1500 SUBURBAN</b>					
1999-96	V8	6.5L	DIESEL; FI TURBO	SD7H15	4440
1999-96	V8	5.7L	GAS; FI	SD7H15	4440
<b>C2500 PICKUP</b>					
2000-96	V8	6.5L	DIESEL; FI TURBO	SD7H15	4440
2000-96	V8	5.7L	GAS; FI	SD7H15	4440
2000-96	V8	7.4L	GAS; FI	SD7H15	4440
1998-96	V8	5.0L	GAS; FI	SD7H15	4440
<b>C2500 SUBURBAN</b>					
1999-96	V8	6.5L	DIESEL; FI TURBO	SD7H15	4440
1999-96	V8	5.7L	GAS; FI	SD7H15	4440
1999-96	V8	7.4L	GAS; FI	SD7H15	4440
<b>C3500 PICKUP</b>					
2002-96	V8	6.5L	DIESEL; FI TURBO	SD7H15	4440
2000-96	V8	7.4L	GAS; FI	SD7H15	4440
2000-96	V8	5.7L	GAS; FI	SD7H15	4440
<b>EXPRESS 1500</b>					
2000-96	V6	4.3L	GAS; FI	SD7H15	4261
2000-96	V8	5.0L	GAS; FI	SD7H15	4261
2000-96	V8	5.7L	GAS; FI	SD7H15	4261
<b>EXPRESS 2500</b>					
2000-96	V8	6.5L	DIESEL; FI TURBO	SD7H15	4261
2000-96	V6	4.3L	GAS; FI	SD7H15	4261
2000-96	V8	5.0L	GAS; FI	SD7H15	4261
2000-96	V8	5.7L	GAS; FI	SD7H15	4261
<b>EXPRESS 3500</b>					
2000-96	V8	6.5L	DIESEL; FI TURBO	SD7H15	4261
2000-96	V8	5.7L	GAS; FI	SD7H15	4261
2000-96	V8	7.4L	GAS; FI	SD7H15	4261
<b>G30 VAN</b>					
1996	V8	6.5L	DIESEL; FI TURBO	SD7H15	4261
1996	V8	5.7L	GAS; FI	SD7H15	4261
1996	V8	7.4L	GAS; FI	SD7H15	4261
<b>P30 VAN</b>					
1999-96	V8	6.5L	DIESEL; FI	SD7H15	4440
1999-96	V6	4.3L	GAS; FI	SD7H15	4440
1999-96	V8	5.7L	GAS; FI	SD7H15	4440
1999-95	V8	7.4L	GAS; FI	SD7H15	4440
<b>S10 PICKUP</b>					
2004-99	V6	4.3L	GAS; FI	SD7H15	4261
1998-96	V6	4.3L	GAS; FI	SD7H15	4440
<b>SILVERADO 1500</b>					
2002-99	V6	4.3L	GAS; FI	SD7H15	4261

Sanden International (U.S.A.), Inc.  
 Premium (NEW) OEM Compressors For Exact Fit  
 Exceptional Quality & Service Guaranteed

# Sanden (NEW) OEM Replacement Compressors

YEAR	CYL	LTR	ENGINE	Compressor Type	SANDEN PN#
<b>CHEVROLET (cont.)</b>					
<b>SILVERADO 2500 HD</b>					
2002-01	V8	6.6L	DIESEL; FI TURBO	SD7H15	4261
<b>SILVERADO 3500</b>					
2002-01	V8	6.6L	DIESEL; FI TURBO	SD7H15	4261
<b>TAHOE</b>					
2000-96	V8	5.7L	GAS; FI	SD7H15	4440
1999-96	V8	6.5L	DIESEL; FI TURBO	SD7H15	4440
<b>GMC</b>					
<b>C1500 PICKUP</b>					
1999-96	V8	5.0L	GAS; FI	SD7H15	4440
1999-96	V8	5.7L	GAS; FI	SD7H15	4440
1998-96	V6	4.3L	GAS; FI	SD7H15	4440
1996	V8	6.5L	DIESEL; FI TURBO	SD7H15	4440
<b>C1500 SUBURBAN</b>					
1999-96	V8	6.5L	DIESEL; FI TURBO	SD7H15	4440
1999-96	V8	5.7L	GAS; FI	SD7H15	4440
<b>C2500 PICKUP</b>					
2000-96	V8	6.5L	DIESEL; FI TURBO	SD7H15	4440
2000-96	V8	5.7L	GAS; FI	SD7H15	4440
2000-96	V8	7.4L	GAS; FI	SD7H15	4440
1997-96	V8	5.0L	GAS; FI	SD7H15	4440
<b>C2500 SUBURBAN</b>					
1999-96	V8	6.5L	DIESEL; FI TURBO	SD7H15	4440
1999-96	V8	5.7L	GAS; FI	SD7H15	4440
1999-96	V8	7.4L	GAS; FI	SD7H15	4440
<b>C3500 PICKUP</b>					
2000-96	V8	6.5L	DIESEL; FI TURBO	SD7H15	4440
2000-96	V8	5.7L	GAS; FI	SD7H15	4440
2000-96	V8	7.4L	GAS; FI	SD7H15	4440
<b>JIMMY</b>					
2001-99	V6	4.3L	GAS; FI	SD7H15	4261
1998-96	V6	4.3L	GAS; FI	SD7H15	4440
<b>K1500 PICKUP</b>					
1999-96	V8	5.0L	GAS; FI	SD7H15	4440
1999-96	V8	5.7L	GAS; FI	SD7H15	4440
1998-96	V8	6.5L	DIESEL; FI TURBO	SD7H15	4440
1998-96	V6	4.3L	GAS; FI	SD7H15	4440
<b>K1500 SUBURBAN</b>					
1999-96	V8	6.5L	DIESEL; FI TURBO	SD7H15	4440
1999-96	V8	5.7L	GAS; FI	SD7H15	4440
<b>K2500 PICKUP</b>					
2000-96	V8	6.5L	DIESEL; FI TURBO	SD7H15	4440
2000-96	V8	5.7L	GAS; FI	SD7H15	4440
2000-96	V8	7.4L	GAS; FI	SD7H15	4440
<b>K2500 SUBURBAN</b>					
1999-96	V8	6.5L	DIESEL; FI TURBO	SD7H15	4440
1999-96	V8	5.7L	GAS; FI	SD7H15	4440
1999-96	V8	7.4L	GAS; FI	SD7H15	4440
<b>K3500 PICKUP</b>					
2000-96	V8	6.5L	DIESEL; FI TURBO	SD7H15	4440
2000-96	V8	5.7L	GAS; FI	SD7H15	4440
2000-96	V8	7.4L	GAS; FI	SD7H15	4440
<b>P35/P3500 VAN</b>					
1999-96	V8	6.5L	DIESEL; FI TURBO	SD7H15	4440
1999-96	V6	4.3L	GAS; FI	SD7H15	4440
1999-96	V8	5.7L	GAS; FI	SD7H15	4440
1999-96	V8	7.4L	GAS; FI	SD7H15	4440

# Sanden (NEW) OEM Replacement Compressors

YEAR	CYL	LTR	ENGINE	Compressor Type	SANDEN PN#
<b>GMC (cont.)</b>					
<b>SAFARI</b>					
2005-96	V6	4.3L	GAS; FI	SD7H15	4390
<b>SAVANA 1500</b>					
2000-96	V6	4.3L	GAS; FI	SD7H15	4261
2000-96	V8	5.0L	GAS; FI	SD7H15	4261
2000-96	V8	5.7L	GAS; FI	SD7H15	4261
<b>SAVANA 2500</b>					
2002-99	V6	4.3L	GAS; FI	SD7H15	4261
2000-96	V8	6.5L	DIESEL; FI TURBO	SD7H15	4261
2000-96	V8	5.0L	GAS; FI	SD7H15	4261
2000-96	V8	5.7L	GAS; FI	SD7H15	4261
<b>SAVANA 3500</b>					
2000-96	V8	6.5L	DIESEL; FI TURBO	SD7H15	4261
2000-96	V8	5.7L	GAS; FI	SD7H15	4261
2000-96	V8	7.4L	GAS; FI	SD7H15	4261
<b>SIERRA 1500</b>					
2002-99	V6	4.3L	GAS; FI	SD7H15	4261
<b>SIERRA 2500 HD</b>					
2002-01	V8	6.6L	DIESEL; FI TURBO	SD7H15	4261
<b>SONOMA</b>					
2004-99	V6	4.3L	GAS; FI	SD7H15	4261
1998-96	V6	4.3L	GAS; FI	SD7H15	4440
<b>YUKON</b>					
1999-96	V8	5.7L	GAS; FI	SD7H15	4440
1997-96	V8	6.5L	DIESEL; FI TURBO	SD7H15	4440
<b>SIERRA 3500</b>					
2002-01	V8	6.6L	DIESEL; FI TURBO	SD7H15	4261
<b>ISUZU</b>					
<b>HOMBRE</b>					
2000-99	V6	4.3L	GAS; FI	SD7H15	4261
<b>OLDSMOBILE</b>					
<b>BRAVADA</b>					
2001-99	V6	4.3L	GAS; FI	SD7H15	4261
1998-96	V6	4.3L	GAS; FI	SD7H15	4440



# *Quality OEM Replacement Compressors*

## **North American Offices:**

Sanden International (USA), Inc.  
601 S. Sanden Blvd.  
Wylie, TX 75098-4999  
Telephone: 877-726-3367  
Fax: 972-442-8700  
[www.sanden.com](http://www.sanden.com)

## **Detroit Regional Office:**

47772 Halyard Dr.  
Plymouth, MI 48170  
Telephone: 734-459-1900  
Fax: 734-459-1902

## **Main Corporate Office:**

Sanden Corporation  
1-31-7, Taito, Taito-ku,  
Tokyo 110-8555, Japan  
Telephone: +81-3-3835-1321  
Fax: +81-3-3833-7096  
[www.sanden.co.jp](http://www.sanden.co.jp)

*just when you need it most...*

 **SANDEN**

Sanden International (USA), Inc. is a registered ISO9001:2002, ISO14001, and TS16949 company  
For more information, visit us at [www.sanden.com](http://www.sanden.com).